

HDPE T-komad, segmentiran

Materijal: PE-HD(PE 100)

Boja: plava ili crna

Dimenzije: DIN 16963/2

Namena: za čeno zavarivanje bez pojačanja, redukcion faktor pritiska 0.65 i koeficijent sigurnosti 1.25

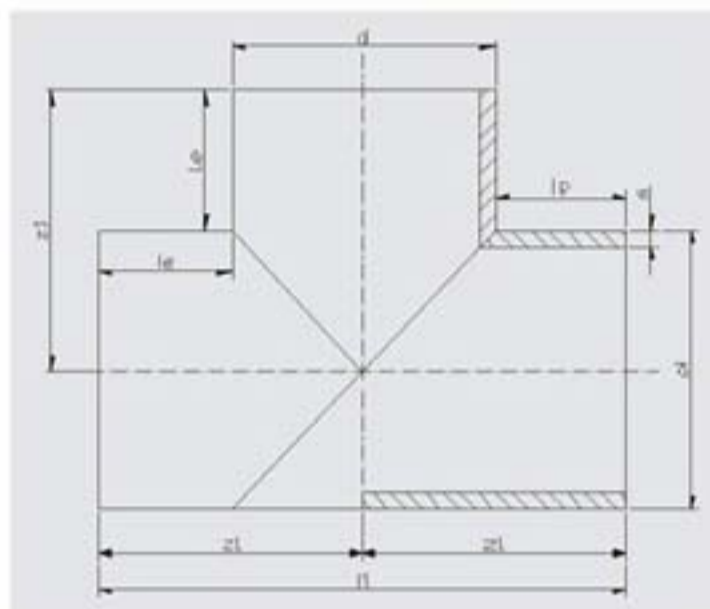
HDPE Tees, segment weld

Material: PE-HD(PE 100)

Color: blue or black

Dimension: DIN 16963/2

Namena: for but welding , non-reinforced pressure reduction factor 0.65 at SF=1.25



SDR 7.4 - Za radni pritisak PN 16 SDR 7.4 - For working presire PN 16

SDR 6				
d	s	le	z1	l1
90	15.0	80	125	250
110	18.3	90	145	290
125	20.8	90	155	310
140	23.2	90	160	320
160	26.6	100	180	360
180	29.9	100	190	380
200	33.2	100	200	400
225	37.4	100	215	430
250	41.5	150	275	550
280	46.5	150	290	580
315	52.3	150	310	620

HDPE T-komad, segmentiran

Materijal: PE-HD(PE 100)

Boja: plava ili crna

Dimenzije: DIN 16963/2

Namena: za čeono zavarivanje bez pojačanja, redukcionni faktor pritiska 0.65 i koeficijent sigurnosti 1.25

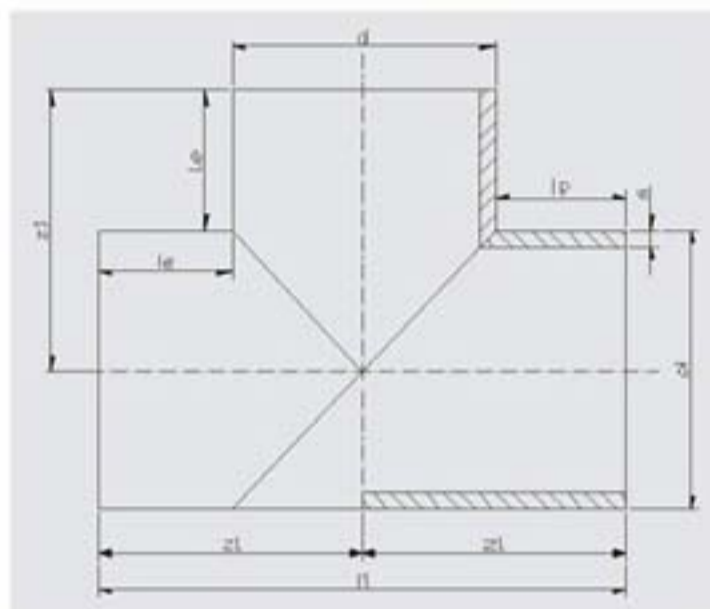
HDPE Tees, segment weld

Material: PE-HD(PE 100)

Color: blue or black

Dimension: DIN 16963/2

Namena: for but welding , non-reinforced pressure reduction factor 0.65 at SF=1.25



SDR 7.4 - Za radni pritisak PN 16 SDR 7.4 - For working presire PN 16

SDR 7.4				
d	s	le	z1	l1
90	12.3	80	125	250
110	15.1	90	145	290
125	17.1	90	155	310
140	19.2	90	160	320
160	21.9	100	180	360
180	24.6	100	190	380
200	27.4	100	200	400
225	30.8	100	215	430
250	34.0	150	275	550
280	38.3	150	290	580
315	43.1	150	310	620
355	48.5	180	360	720
400	54.7	180	380	760
450	61.5	200	425	850

HDPE T-komad, segmentiran

Materijal: PE-HD(PE 100)

Boja: plava ili crna

Dimenzije: DIN 16963/2

Namena: za čeono zavarivanje bez pojačanja, redukcionni faktor pritiska 0.65 i koeficijent sigurnosti 1.25

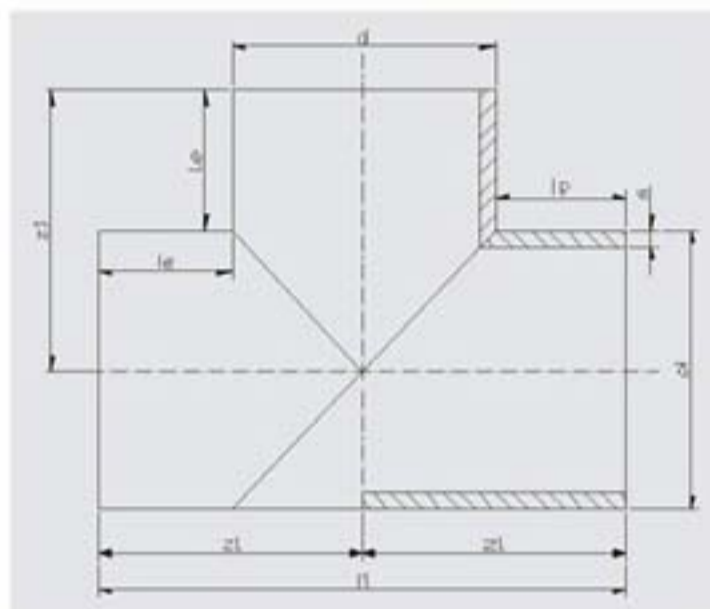
HDPE Tees, segment weld

Material: PE-HD(PE 100)

Color: blue or black

Dimension: DIN 16963/2

Namena: for but welding , non-reinforced pressure reduction factor 0.65 at SF=1.25



SDR 9 - Za radni pritisak PN 12.5 SDR 9 - For working presire PN 12.5

SDR 9				
d	s	le	z1	l1
90	10.1	80	125	250
110	12.3	90	145	290
125	14.0	90	155	310
140	15.7	90	160	320
160	17.9	100	180	360
180	20.1	100	190	380
200	22.4	100	200	400
225	25.2	100	215	430
250	27.9	150	275	550
280	31.3	150	290	580
315	35.2	150	310	620
355	39.7	180	360	720
400	44.7	180	380	760
450	50.3	200	425	850
500	55.8	200	450	900

HDPE T-komad, segmentiran

Materijal: PE-HD(PE 100)

Boja: plava ili crna

Dimenzije: DIN 16963/2

Namena: za čeno zavarivanje bez pojačanja, redukcionni faktor pritiska 0.65 i koeficijent sigurnosti 1.25

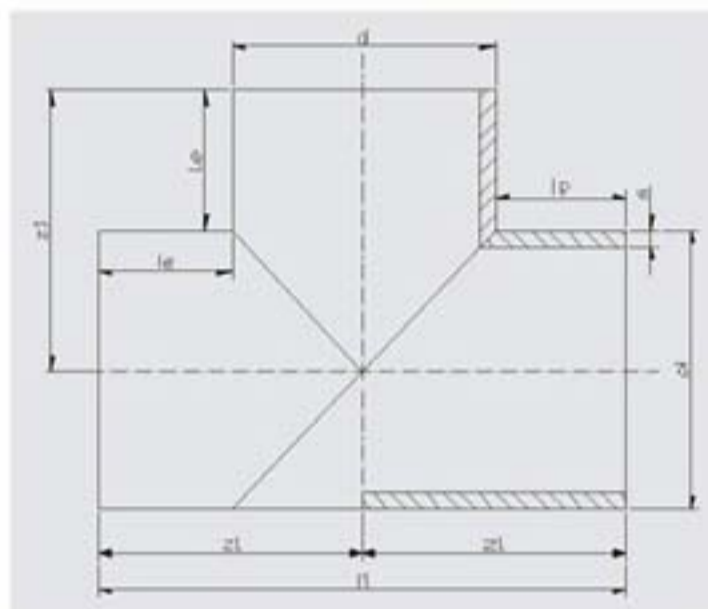
HDPE Tees, segment weld

Material: PE-HD(PE 100)

Color: blue or black

Dimension: DIN 16963/2

Namena: for but welding , non-reinforced pressure reduction factor 0.65 at SF=1.25



SDR 11 - Za radni pritisak PN 10    SDR 11 - For working presire PN 10

SDR 11				
d	s	le	z1	l1
90	8.2	80	125	250
110	10.0	90	145	290
125	11.4	90	155	310
140	12.7	90	160	320
160	14.6	100	180	360
180	16.4	100	190	380
200	18.2	100	200	400
225	20.5	100	215	430
250	22.7	150	275	550
280	25.4	150	290	580
315	28.6	150	310	620
355	32.2	180	360	720
400	36.6	180	380	760
450	40.9	200	425	850
500	54.4	200	450	900
560	50.8	250	530	1060
630	57.2	250	565	1130

HDPE T-komad, segmentiran

Materijal: PE-HD(PE 100)

Boja: plava ili crna

Dimenzije: DIN 16963/2

Namena: za čeno zavarivanje bez pojačanja, redukcion faktor pritiska 0.65 i koeficijent sigurnosti 1.25

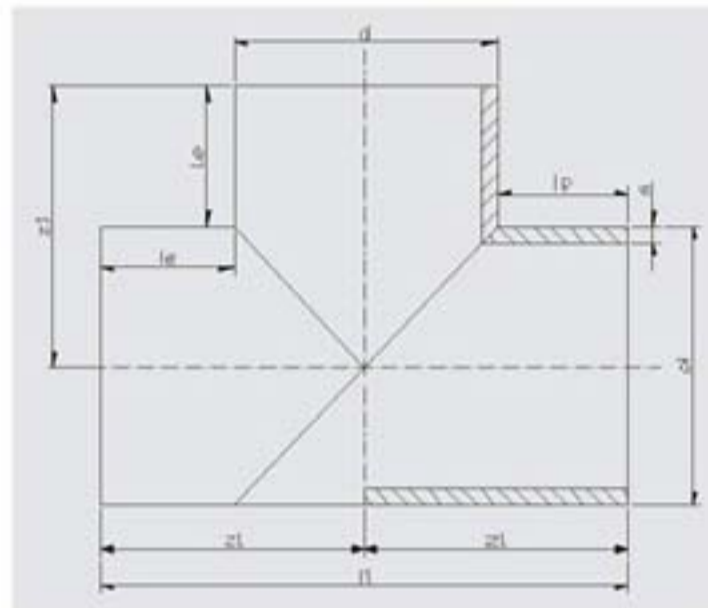
HDPE Tees, segment weld

Material: PE-HD(PE 100)

Color: blue or black

Dimension: DIN 16963/2

Namena: for but welding , non-reinforced pressure reduction factor 0.65 at SF=1.25



SDR 17 - Za radni pritisak PN 6    SDR 17 - For working presire PN 6

SDR 17				
d	s	le	z1	l1
90	5.4	80	125	250
110	6.6	90	145	290
125	7.4	90	155	310
140	8.3	90	160	320
160	9.5	100	180	360
180	10.7	100	190	380
200	11.9	100	200	400
225	13.4	100	215	430
250	14.8	150	275	550
280	16.6	150	290	580
315	18.7	150	310	620
355	21.1	180	360	720
400	23.7	180	380	760
450	26.7	200	425	850
500	29.7	200	450	900
560	33.2	250	530	1060
630	37.4	250	565	1130

HDPE T-komad, segmentiran

Materijal: PE-HD(PE 100)

Boja: plava ili crna

Dimenzije: DIN 16963/2

Namena: za čeono zavarivanje bez pojačanja, redukcionni faktor pritiska 0.65 i koeficijent sigurnosti 1.25

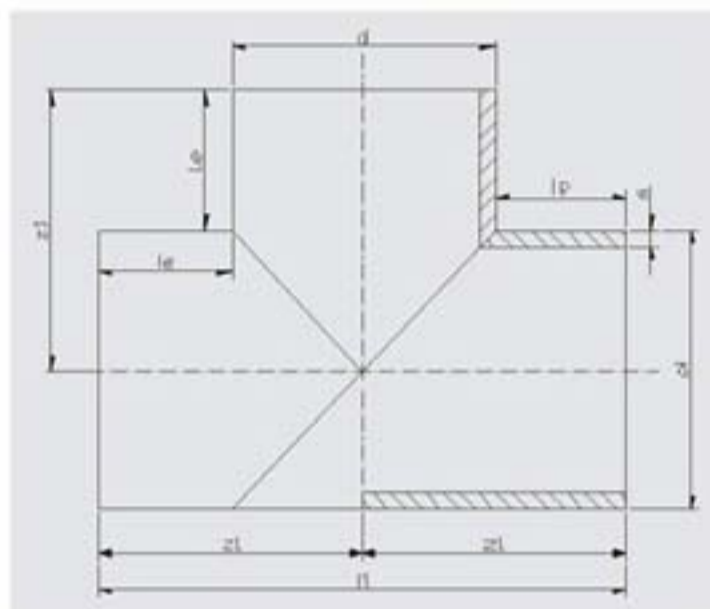
HDPE Tees, segment weld

Material: PE-HD(PE 100)

Color: blue or black

Dimension: DIN 16963/2

Namena: for but welding , non-reinforced pressure reduction factor 0.65 at SF=1.25



SDR 26 - Za radni pritisak PN 4

SDR 26 - For working presire PN 4

d	s	le	z1	l1
90	3.5	80	125	250
110	4.2	90	145	290
125	4.8	90	155	310
140	5.4	90	160	320
160	6.2	100	180	360
180	6.9	100	190	380
200	7.7	100	200	400
225	8.6	100	215	430
250	9.6	150	275	550
280	10.7	150	290	580
315	12.1	150	310	620
355	13.6	180	360	720
400	15.3	180	380	760
450	17.2	200	425	850
500	19.1	200	450	900
560	21.4	250	530	1060
630	24.1	250	565	1130

HDPE T-komad, segmentiran

Materijal: PE-HD(PE 100)

Boja: plava ili crna

Dimenzije: DIN 16963/2

Namena: za čeno zavarivanje bez pojačanja, redukcionni faktor pritiska 0.65 i koeficijent sigurnosti 1.25

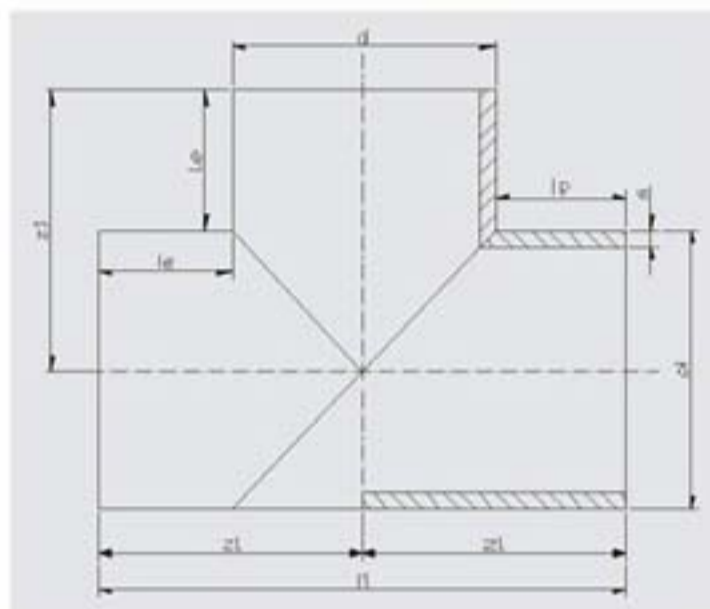
HDPE Tees, segment weld

Material: PE-HD(PE 100)

Color: blue or black

Dimension: DIN 16963/2

Namena: for but welding , non-reinforced pressure reduction factor 0.65 at SF=1.25



SDR 41 - Za radni pritisak PN 2    SDR 41 - For working presire PN 2

SDR 41				
d	s	le	z1	l1
90	2.2	80	125	250
110	2.7	90	145	290
125	3.1	90	155	310
140	3.5	90	160	320
160	4.0	100	180	360
180	4.4	100	190	380
200	4.9	100	200	400
225	5.5	100	215	430
250	6.2	150	275	550
280	6.9	150	290	580
315	7.7	150	310	620
355	8.7	180	360	720
400	9.8	180	380	760
450	11.0	200	425	850
500	12.3	200	450	900
560	13.7	250	530	1060
630	15.4	250	565	1130