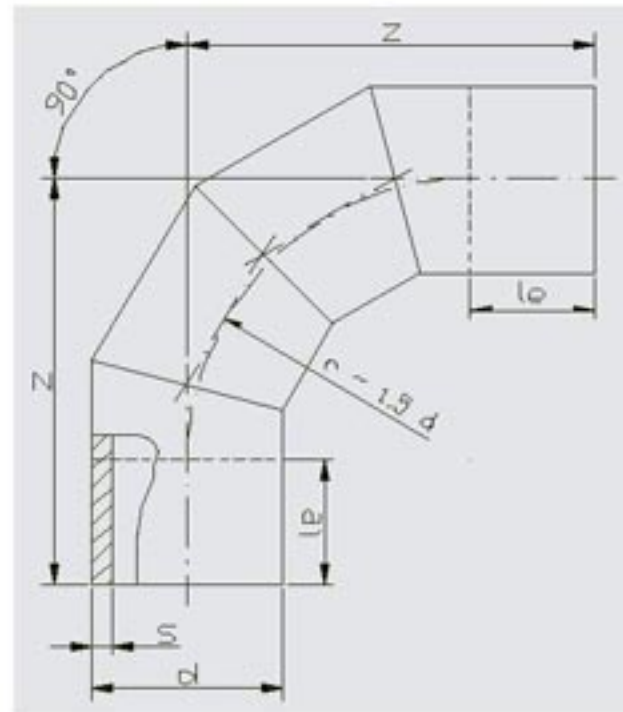


HDPE Koleno 90 , segmentiran

Materijal: PE-HD(PE 100)
 Boja: plava ili crna
 Radijus: 1.5 x da
 Dimenzije: DIN 16963/1
 Namena: za čeono zavarivanje

HDPE Bend 90 , segment weld

Material: PE-HD(PE 100)
 Color: blue or black
 Radijus: 1.5 x da
 Dimension: DIN 16963/1
 Namena: for but welding



SDR 6 - PN 32

SDR 6				
	s	le	r	z
90	15.0	80	152	228
110	18.3	90	165	255
125	20.8	90	188	278
140	23.2	90	210	300
160	26.6	100	240	340
180	29.9	100	270	370
200	33.2	100	300	400
225	37.4	100	338	438
250	41.5	150	375	525
280	46.5	150	420	570
315	52.3	150	477	623

HDPE Koleno 90 , segmentiran

Materijal: PE-HD(PE 100)

Boja: plava ili crna

Radijus: 1.5 x da

Dimenzije: DIN 16963/1

Namena: za čeono zavarivanje

HDPE Bend 90 , segment weld

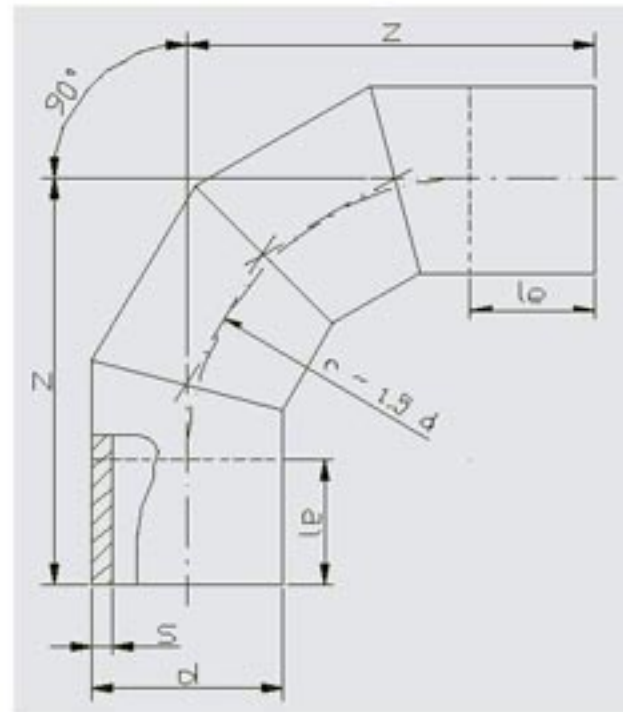
Material: PE-HD(PE 100)

Color: blue or black

Radijus: 1.5 x da

Dimension: DIN 16963/1

Namena: for but welding



SDR 7.4 - PN 25

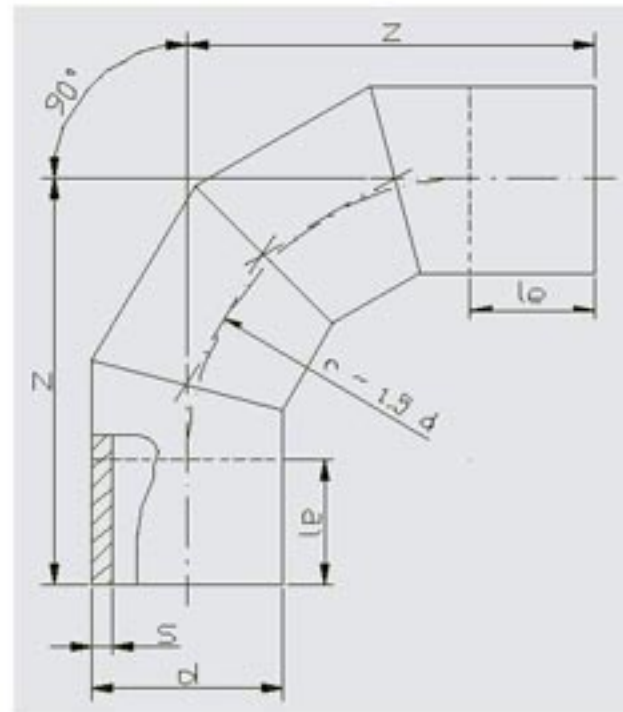
SDR 7.4				
	s	le	r	z
90	12.3	80	152	228
110	15.1	90	165	255
125	17.1	90	188	278
140	19.2	90	210	300
160	21.9	100	240	340
180	24.6	100	270	370
200	27.4	100	300	400
225	30.8	100	338	438
250	34.0	150	375	525
280	38.3	150	420	570
315	43.1	150	477	623
355	48.5	180	533	713
400	54.7	180	600	780
450	61.5	200	675	875

HDPE Koleno 90 , segmentiran

Materijal: PE-HD(PE 100)
 Boja: plava ili crna
 Radijus: 1.5 x da
 Dimenzije: DIN 16963/1
 Namena: za čeono zavarivanje

HDPE Bend 90 , segment weld

Material: PE-HD(PE 100)
 Color: blue or black
 Radijus: 1.5 x da
 Dimension: DIN 16963/1
 Namena: for but welding



SDR 9 - PN 20

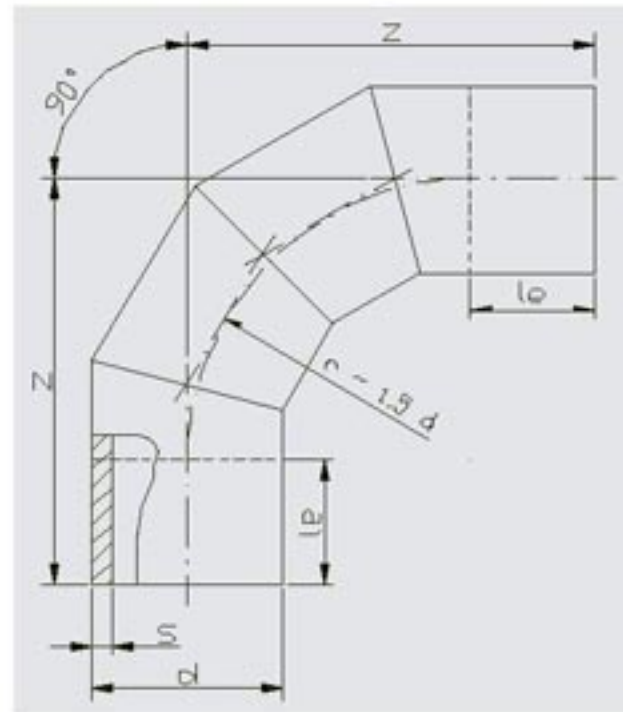
SDR 9				
	s	le	r	z
90	10.1	80	152	228
110	12.3	90	165	255
140	15.7	90	210	300
160	17.9	100	240	340
180	20.1	100	270	370
200	22.4	100	300	400
225	25.2	100	338	438
250	27.9	150	375	525
280	31.3	150	420	570
315	35.2	150	477	623
355	39.7	180	533	713
400	44.7	180	600	780
450	50.3	200	675	875
500	55.8	200	750	950

HDPE Koleno 90 , segmentiran

Materijal: PE-HD(PE 100)
 Boja: plava ili crna
 Radijus: 1.5 x da
 Dimenzije: DIN 16963/1
 Namena: za čeono zavarivanje

HDPE Bend 90 , segment weld

Material: PE-HD(PE 100)
 Color: blue or black
 Radijus: 1.5 x da
 Dimension: DIN 16963/1
 Namena: for but welding



SDR 11 - PN 16

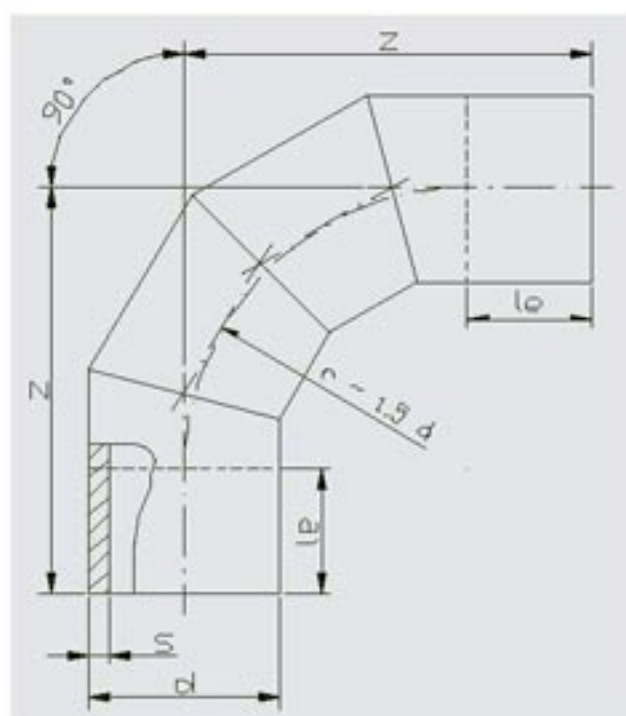
SDR 11				
	s	le	r	z
90	8.2	80	152	228
110	10.0	90	165	255
125	11.4	90	188	278
140	12.7	90	210	300
160	14.6	100	240	340
180	16.4	100	270	370
200	18.2	100	300	400
225	20.5	100	338	438
250	22.7	150	375	525
280	25.4	150	420	570
315	28.6	150	477	623
355	32.2	180	533	713
400	36.6	180	600	780
450	40.9	200	675	875
500	54.4	200	750	950
560	50.8	250	840	1090
630	57.2	250	945	1195

HDPE Koleno 90 , segmentiran

Materijal: PE-HD(PE 100)
 Boja: plava ili crna
 Radijus: 1.5 x da
 Dimenzije: DIN 16963/1
 Namena: za čeono zavarivanje

HDPE Bend 90 , segment weld

Material: PE-HD(PE 100)
 Color: blue or black
 Radijus: 1.5 x da
 Dimension: DIN 16963/1
 Namena: for but welding



SDR 17 - PN 10

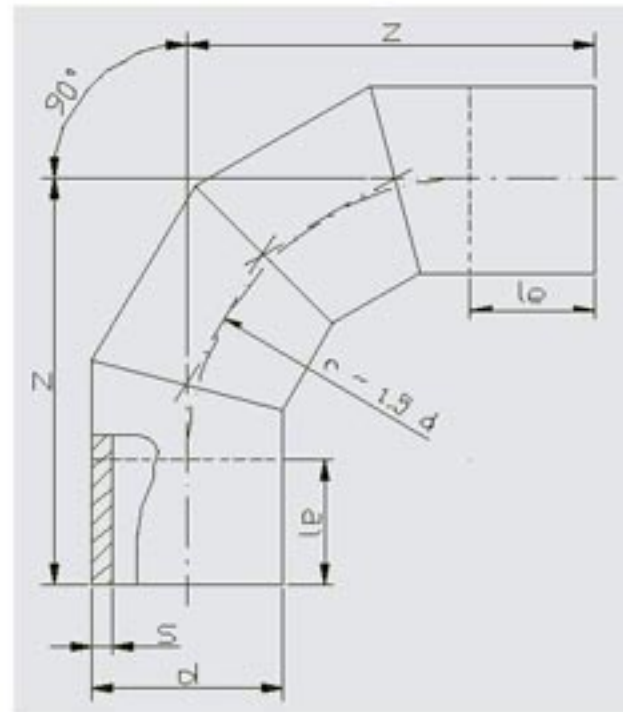
SDR 17				
	s	le	r	z
90	5.4	80	152	228
110	6.6	90	165	255
125	7.4	90	188	278
140	8.3	90	210	300
160	9.5	100	240	340
180	10.7	100	270	370
200	11.9	100	300	400
225	13.4	100	338	438
250	14.8	150	375	525
280	16.6	150	420	570
315	18.7	150	477	623
355	21.1	180	533	713
400	23.7	180	600	780
450	26.7	200	675	875
500	29.7	200	750	950
560	33.2	250	840	1090
630	37.4	250	945	1195

HDPE Koleno 90 , segmentiran

Materijal: PE-HD(PE 100)
 Boja: plava ili crna
 Radijus: 1.5 x da
 Dimenzije: DIN 16963/1
 Namena: za čeono zavarivanje

HDPE Bend 90 , segment weld

Material: PE-HD(PE 100)
 Color: blue or black
 Radijus: 1.5 x da
 Dimension: DIN 16963/1
 Namena: for but welding



SDR 26 - PN 6

SDR 26				
	s	le	r	z
90	3.5	80	152	228
110	4.2	90	165	255
125	4.8	90	188	278
140	5.4	90	210	300
160	6.2	100	240	340
180	6.9	100	270	370
200	7.7	100	300	400
225	8.6	100	338	438
250	9.6	150	375	525
280	10.7	150	420	570
315	12.1	150	477	623
355	13.6	180	533	713
400	15.3	180	600	780
450	17.2	200	675	875
500	19.1	200	750	950
560	21.4	250	840	1090
630	24.1	250	945	1195

HDPE Koleno 90 , segmentiran

Materijal: PE-HD(PE 100)

Boja: plava ili crna

Radijus: 1.5 x da

Dimenzije: DIN 16963/1

Namena: za čeono zavarivanje

HDPE Bend 90 , segment weld

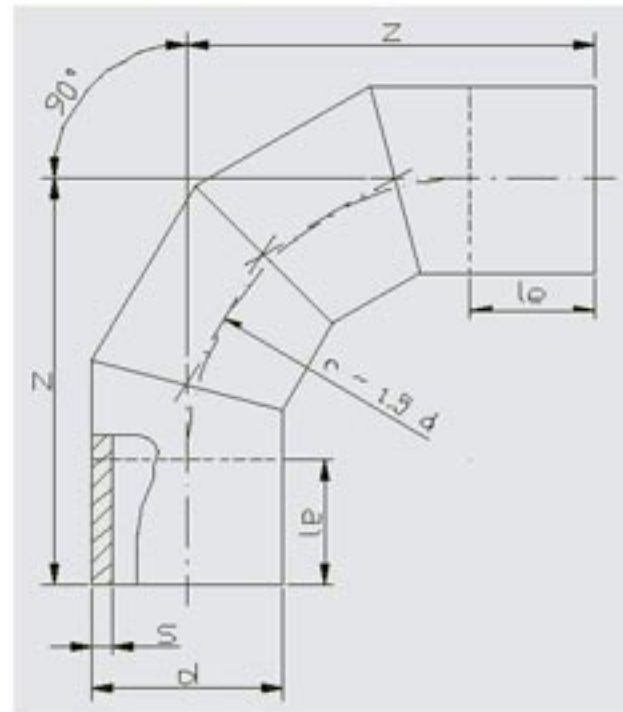
Material: PE-HD(PE 100)

Color: blue or black

Radijus: 1.5 x da

Dimension: DIN 16963/1

Namena: for but welding



SDR 41 - PN 4

SDR 41				
	s	le	r	z
90	2.2	80	152	228
110	2.7	90	165	255
125	3.1	90	188	278
140	3.5	90	210	300
160	4.0	100	240	340
180	4.4	100	270	370
200	4.9	100	300	400
225	5.5	100	338	438
250	6.2	150	375	525
280	6.9	150	420	570
315	7.7	150	477	623
355	8.7	180	533	713
400	9.8	180	600	780
450	11.0	200	675	875
500	12.3	200	750	950
560	13.7	250	840	1090
630	15.4	250	945	1195